

**BG 4000**

- Bright chrome finish
- Cushioned corporate vinyl thumb grip
- Exhaust air when nozzle is blocked
- Complies with OSHA

**BG 3000/5000**

- One piece design in moulded high impact plastic
- Exhaust air when nozzle is blocked
- Complies with OSHA

**Technical Data**

## Medium:

Non-lubricated compressed air, filtered

## Operation:

Blow gun

## Mounting:

Hand-held incorporating finger guard

## Connection:

RC $\frac{1}{4}$  (BG 3000), G $\frac{1}{4}$  (BG 4000) and (BG 5000)

## Operating Pressure:

10 Bar maximum line pressure

The USA O.S.H.A. recommendations state that nozzle pressures should not exceed 2 bar. This ensures that the blocked end condition pressure will not exceed the 0,4 bar that could penetrate human skin with possibly fatal consequences.

Blow guns should always be supplied through a suitable pressure regulator to ensure safe operation.

**Materials**

## Body

BG 4000 Die cast zinc - chrome plated

BG 3000 Impact resistant plastic

BG 5000 Impact resistant plastic

**Ordering Information**

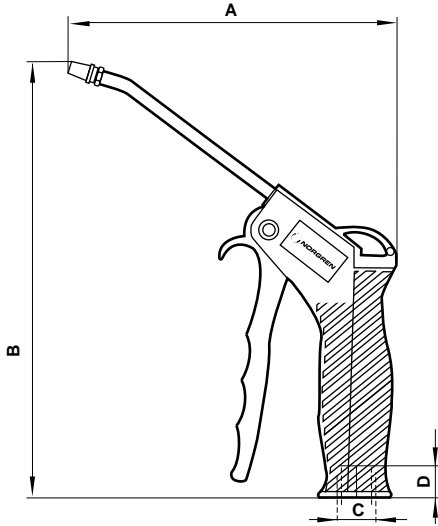
To order, quote model number from tables overleaf



**General Purpose Plastic Blow Guns**

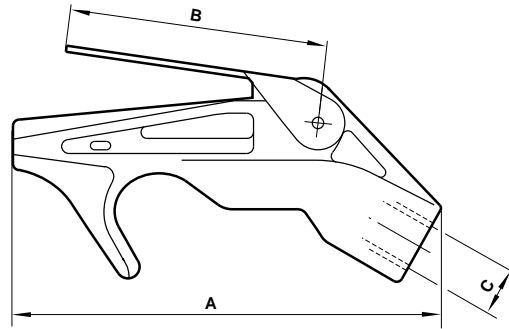
Colour corporate red

Product number	A	B	C	D
BG 5000	146	195	G <sup>1</sup> / <sub>4</sub>	10



**General Purpose Plastic Blow Guns**

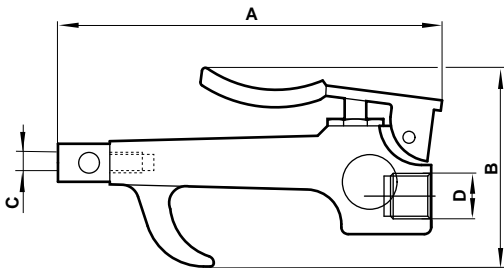
Product number	A	B	C
BG 3000	110	68	R <sub>C</sub> <sup>1</sup> / <sub>4</sub>



**General Purpose Metal Blow Guns**

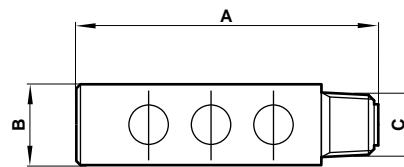
Bright chrome finish

Product number	A	B	C	D
BG 4000	110	60	1/8 x 27 NPT	G <sup>1</sup> / <sub>4</sub>



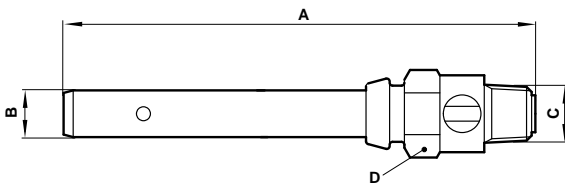
**Safety Booster**

Product number	A	B Ø	C
BG 0100	45	12,5	1/8 x 27 NPT



**Extension Tube**

Product number	A	B	C	D A/F
BG 0106	163	8,0	1/8 x 27 NPT	12,7
BG 0112	315	8,0	1/8 X 27 NPT	12,7



**Warning**

These products are intended for use in industrial compressed air systems only. Do not use these products where pressures and temperatures can exceed those listed under 'Technical Data'.

Before using these products with fluids other than those specified, for non-industrial applications, life-support systems, or other applications not within published specifications, consult Norgren.

Through misuse, age, or malfunction, components used in fluid power systems can fail in various modes. The system designer is warned to consider the failure modes of all component parts used in fluid power systems and to provide adequate safeguards to prevent personal injury or damage to equipment in the event of such failure.

**System designers must provide a warning to end users in the system instructional manual if protection against a failure mode cannot be adequately provided.**

System designers and end users are cautioned to review specific warnings found in instruction sheets packed and shipped with these products where applicable.